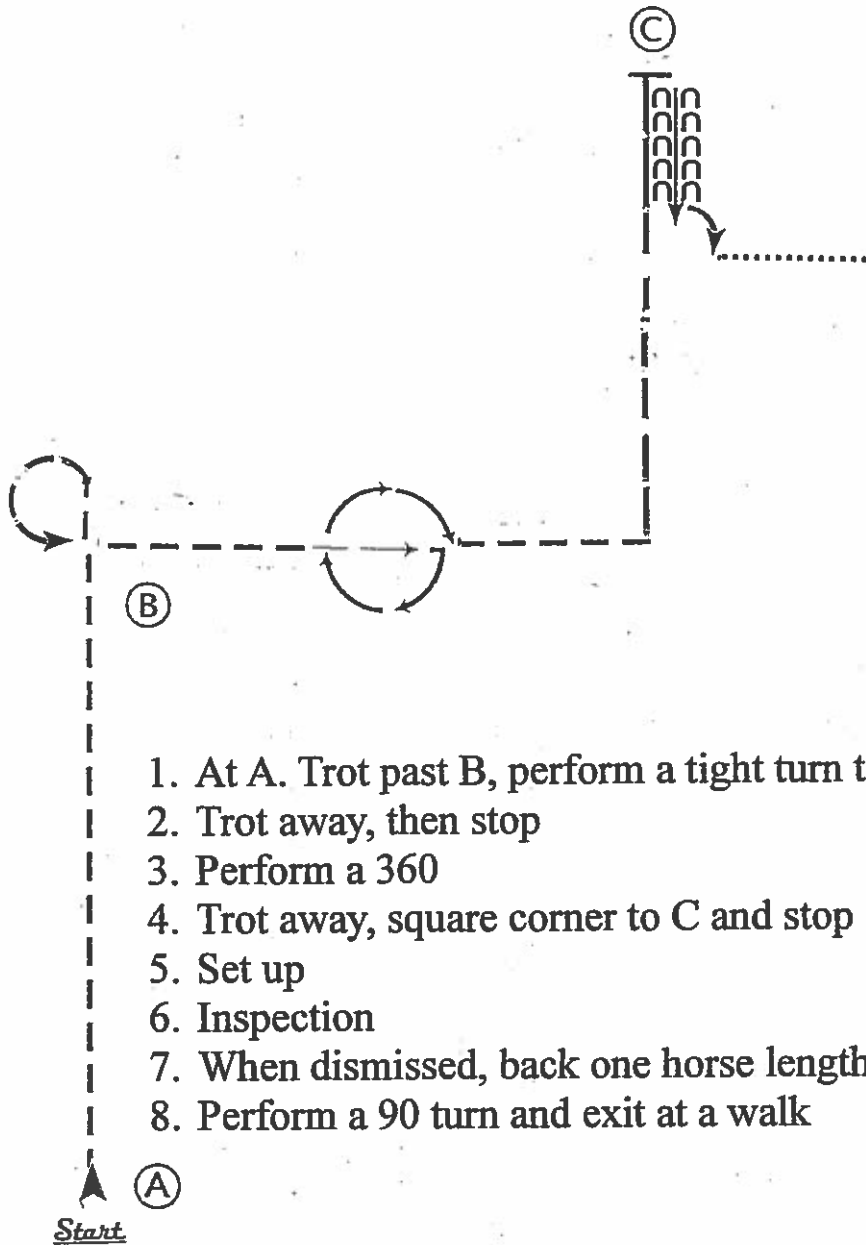


# All Ages Open Youth/Amateur Showmanship

Show Date: 8-22+23



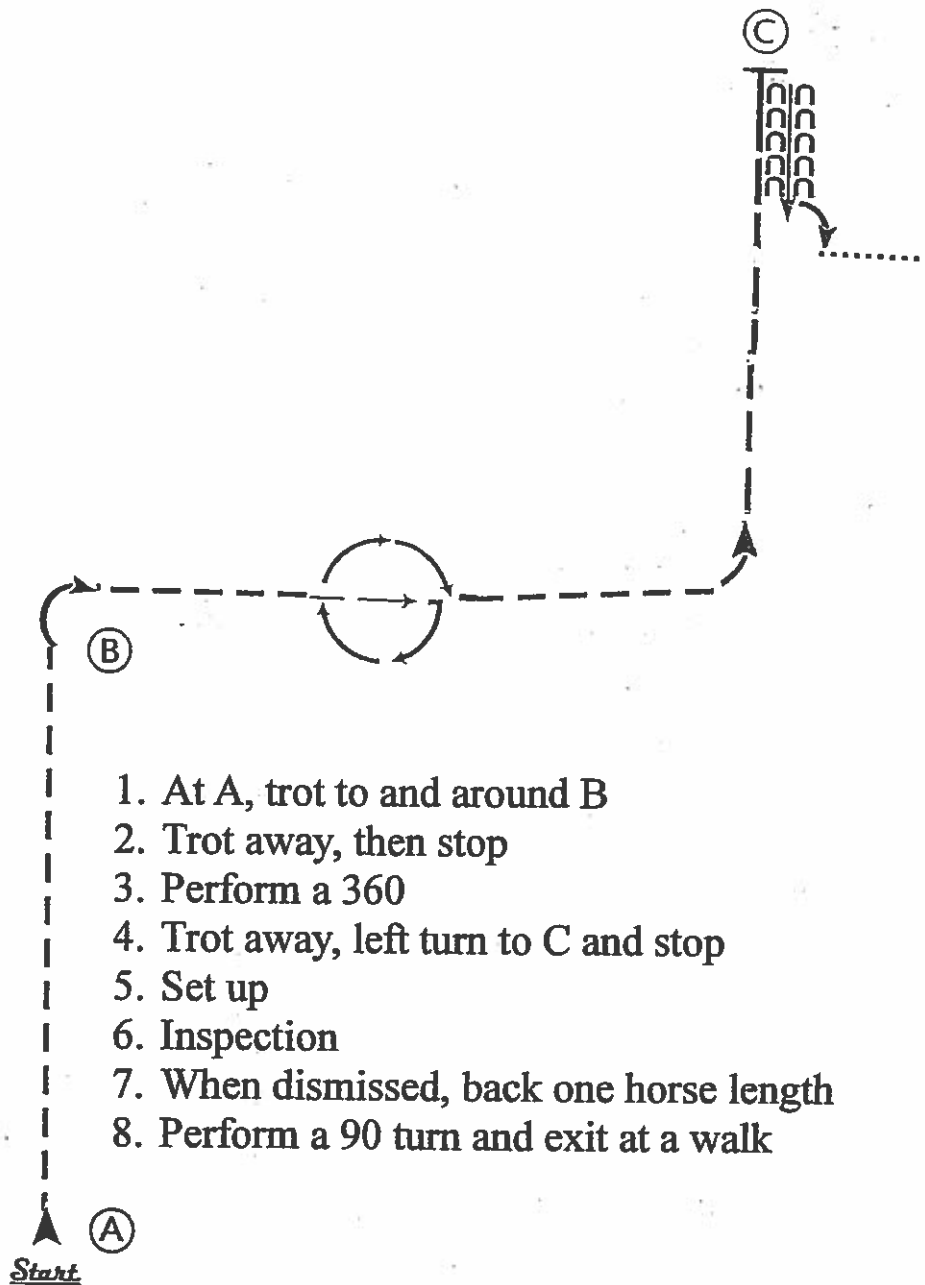
1. At A. Trot past B, perform a tight turn to the left
2. Trot away, then stop
3. Perform a 360
4. Trot away, square corner to C and stop
5. Set up
6. Inspection
7. When dismissed, back one horse length
8. Perform a 90 turn and exit at a walk

Pattern Provided by:  
The Judges

# Novice Youth/Amateur Showmanship

Show Date: 8-22-23

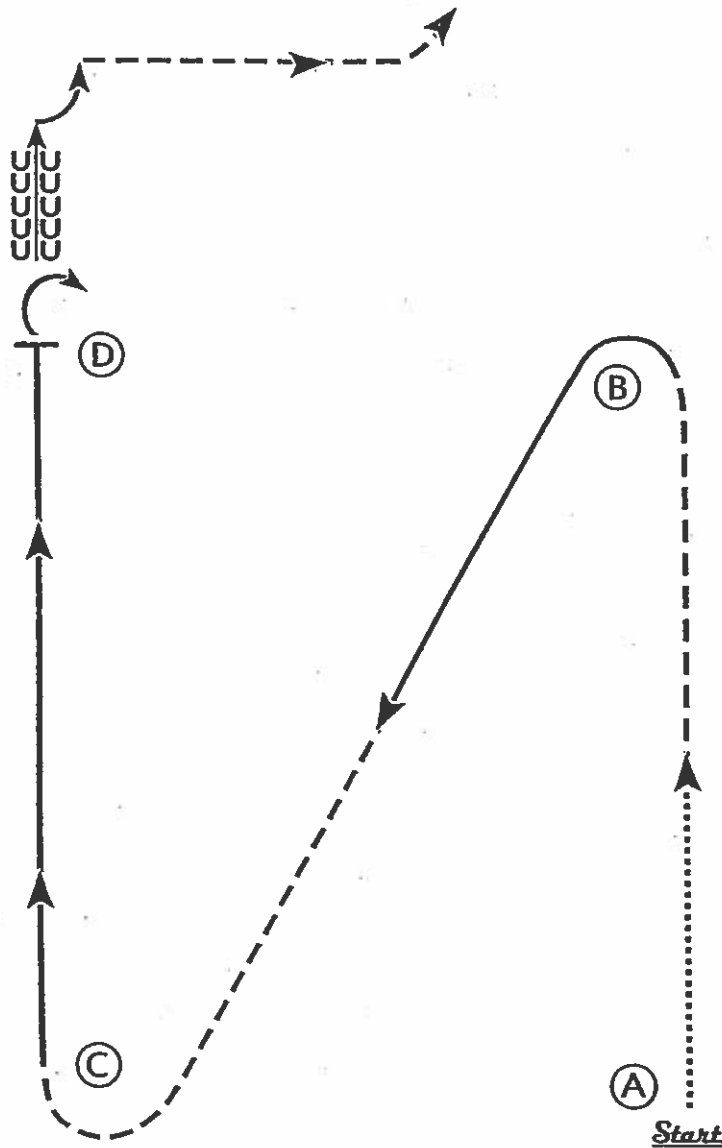
\* Amateur Walk/trot will use this pattern – AT A WALK ONLY



Pattern Provided by:  
The Judges

# All Ages Youth/Amateur Equitation

Show Date: 8-22-23

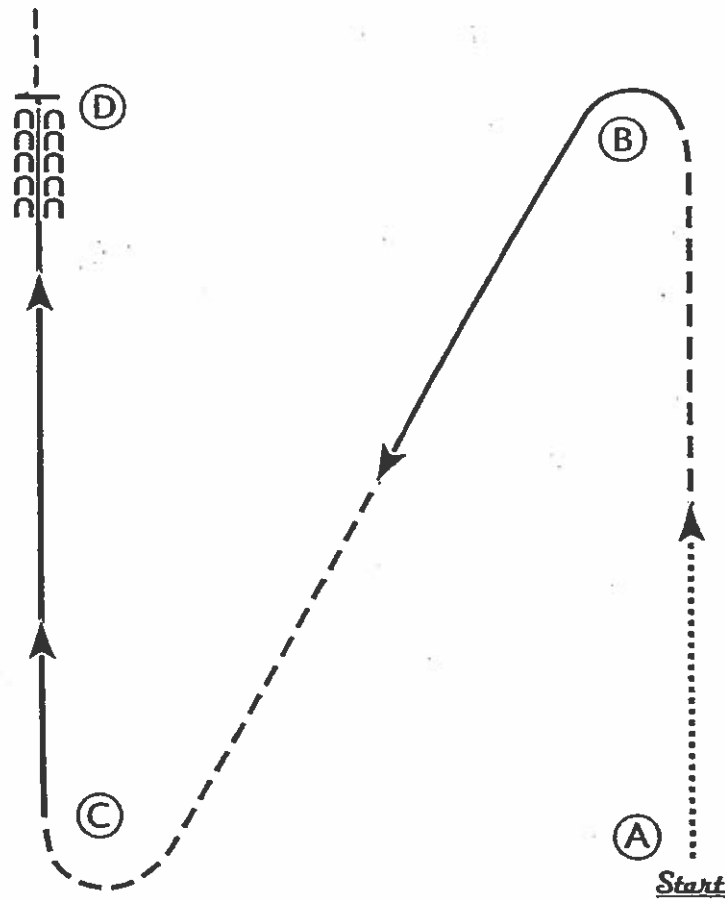


1. At A, Walk one horse length
2. Then a sitting trot to B
3. Canter left lead around B and  $\frac{1}{2}$  way to C
4. Drop to a posting trot left diagonal
5. After rounding C canter on the right lead to D and stop
6. Turn a 180 on the forehand to the right
7. Back
8. Turn a 90 on the forehand to the left, the exit at a sitting trot

Pattern Provided by:  
**The Judges**

# Novice Youth/Amateur Equitation

Show Date: 8-22-23

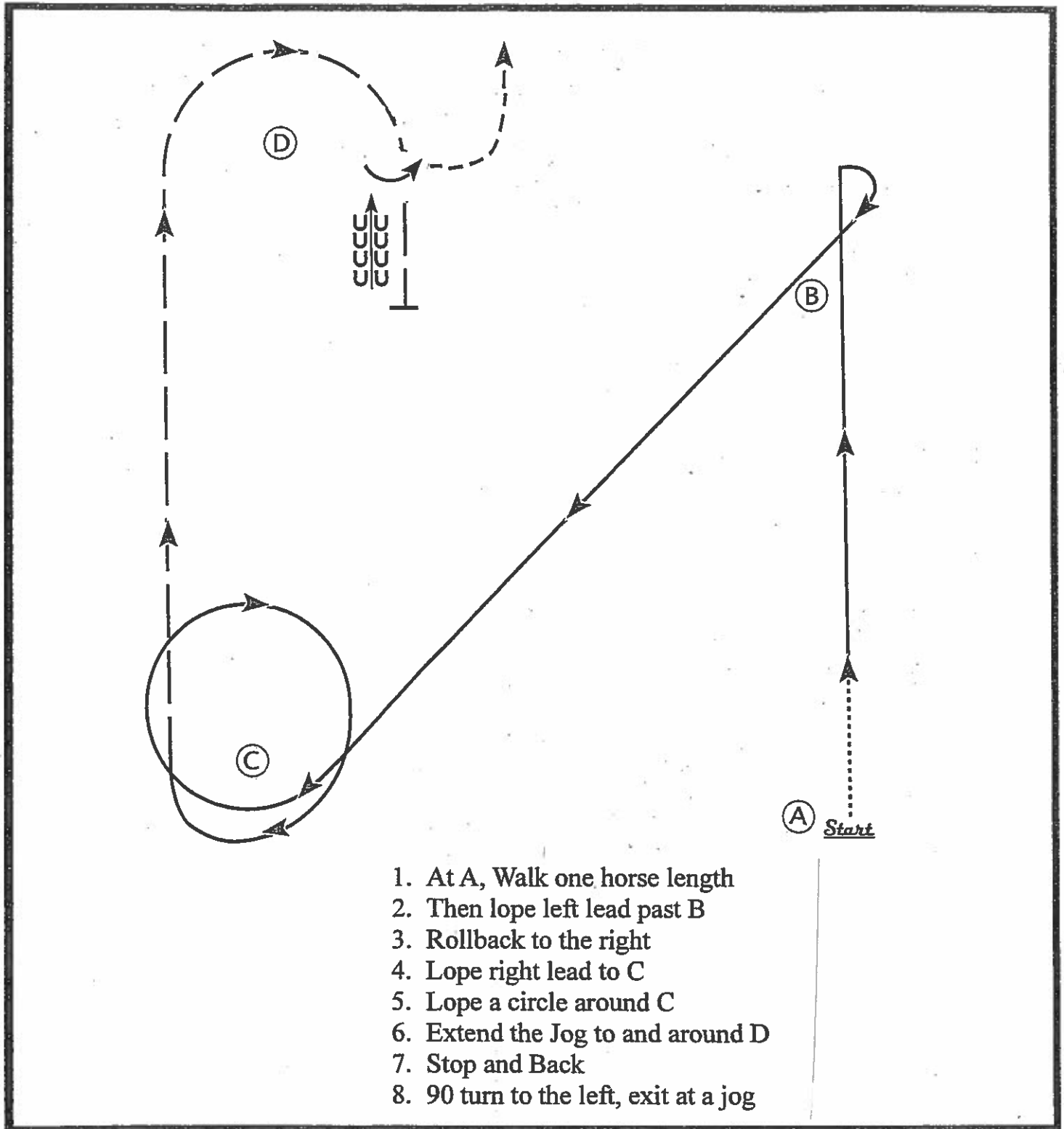


1. At A, Walk one horse length
2. Then a sitting trot to B
3. Canter left lead around B and  $\frac{1}{2}$  way to C
4. Drop to a posting trot left diagonal
5. After rounding C canter on right lead to D
6. At D, stop and back
7. Sitting trot to exit

Pattern Provided by:  
The Judges

# All Ages Open Youth/Amateur Horsemanship

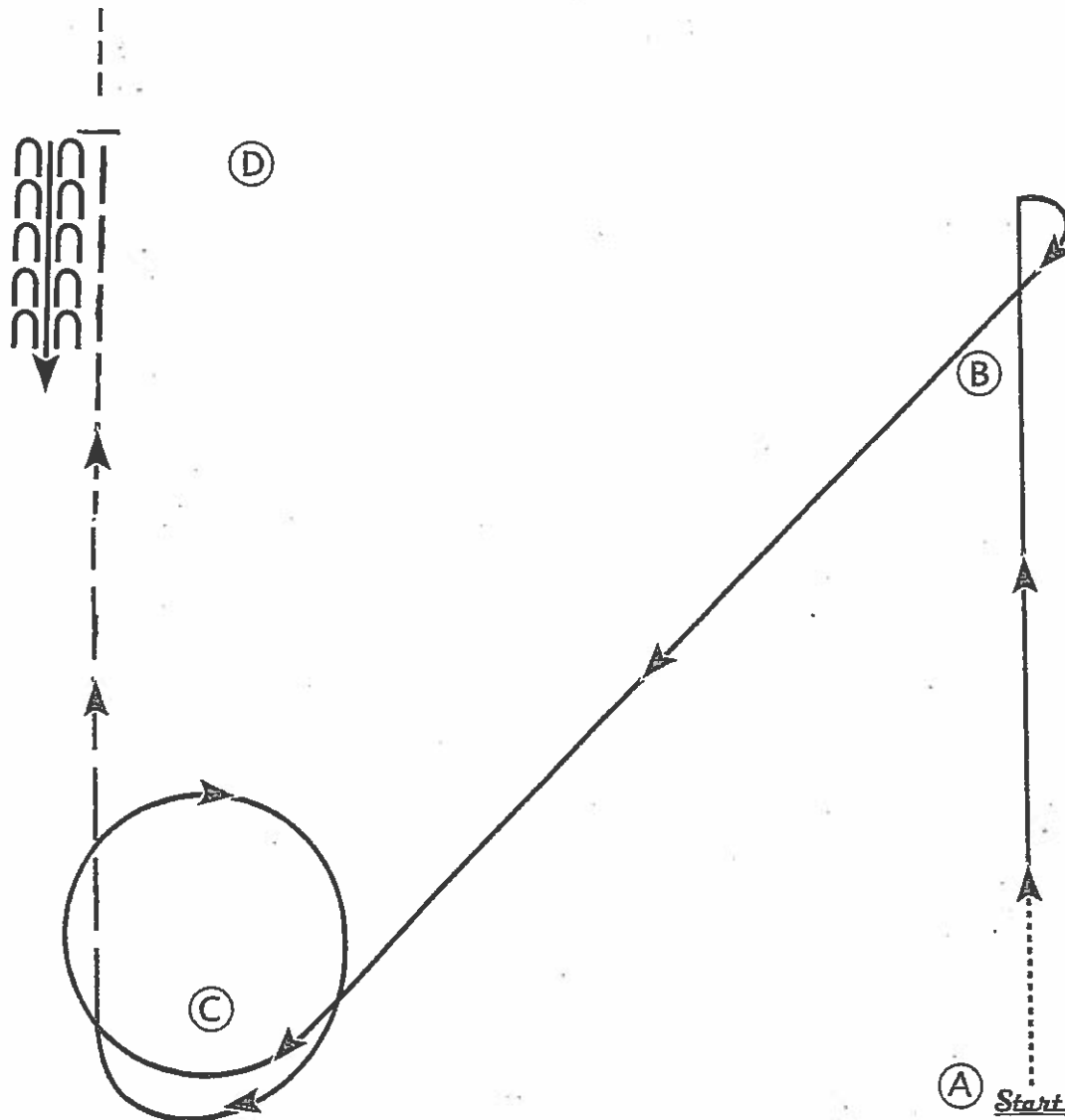
Show Date: 8-22+23



Pattern Provided by:  
The Judges

# Novice Youth/Amateur Horsemanship

Show Date: 8-22+23

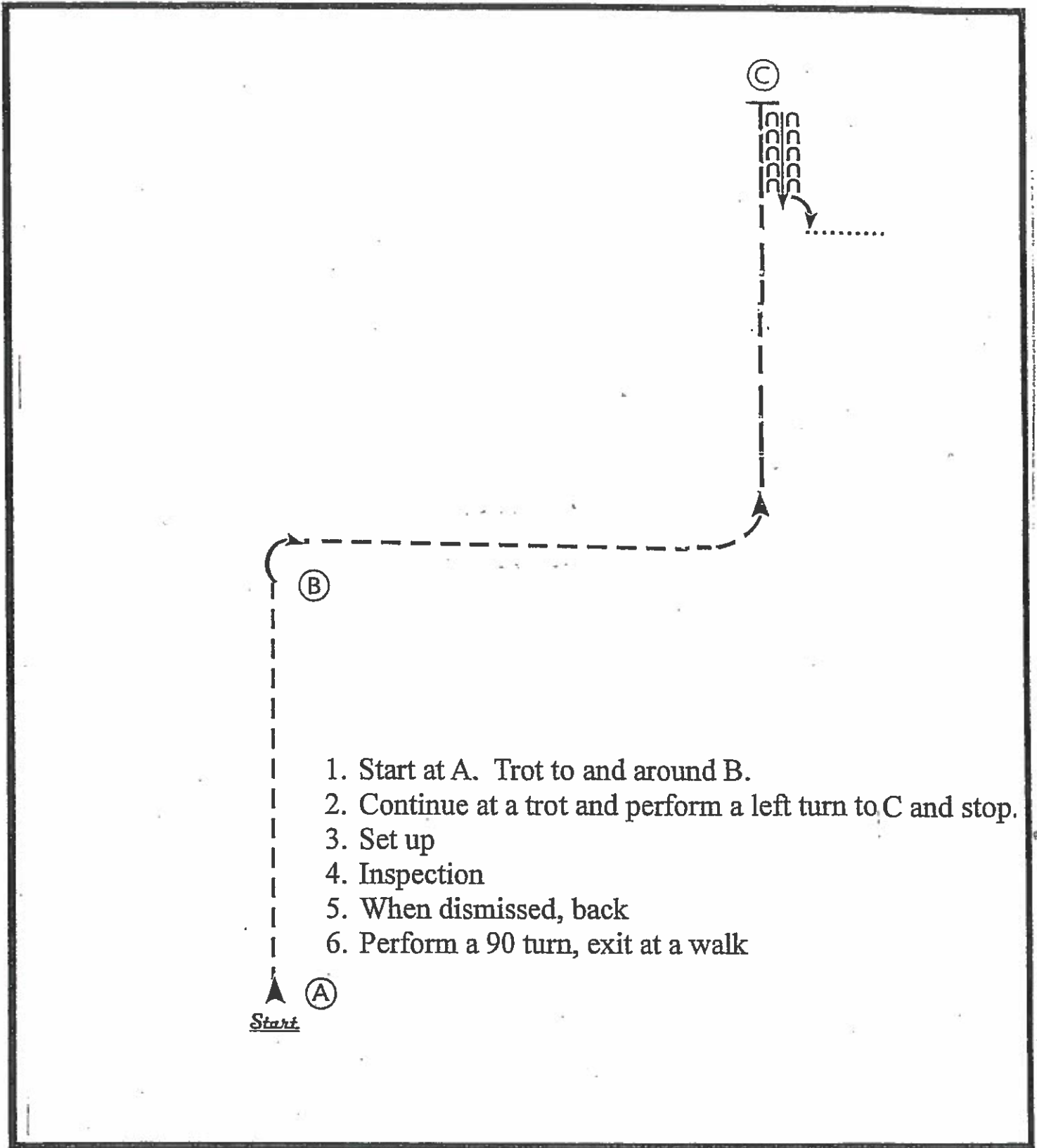


1. At A, Walk one horse length
2. Then lope left lead past B
3. Stop & turn right
4. Lope right lead to C
5. Lope a circle around C
6. Extend the Jog to D
7. Stop and Back
8. Jog to exit

Pattern Provided by:  
The Judges

5 to 10 yr Small-Fry Showmanship

Show Date: 8-22-23

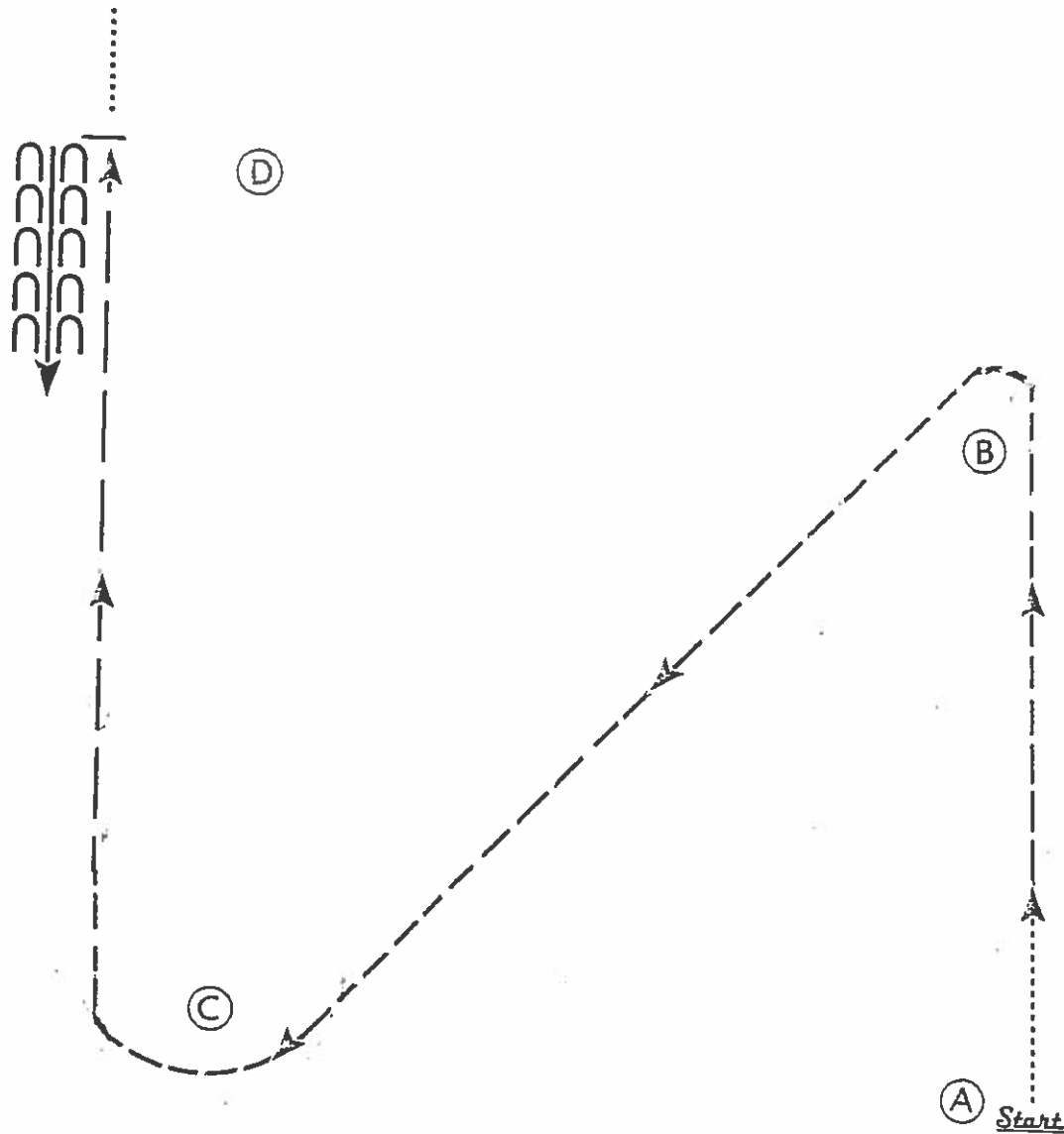


1. Start at A. Trot to and around B.
2. Continue at a trot and perform a left turn to C and stop.
3. Set up
4. Inspection
5. When dismissed, back
6. Perform a 90 turn, exit at a walk

Pattern Provided by:  
The Judges

# Small-Fry/Walk-Trot Horsemanship

Show Date: 8-22-23



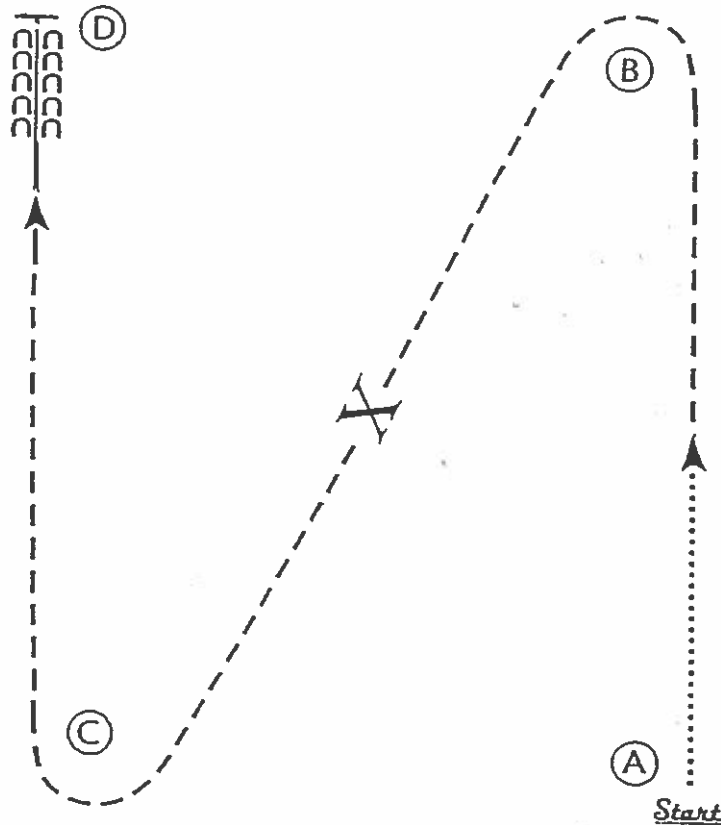
1. At A, Walk one horse length, then jog to B
2. At B perform a tight turn towards C
3. Continue at a jog to and around C then,
4. Extend the Jog to D
5. Stop and Back
6. Exit at a walk

Pattern Provided by:  
The Judges



# Small-Fry/Walk-Trot Equitation

Show Date: 8-22-23



1. Begin at A. Walk 6 steps then trot right diagonal around B
2. Half way to C change diagonals.
3. After rounding C trot to D
4. Stop at D and Back
5. Exit at a sitting trot

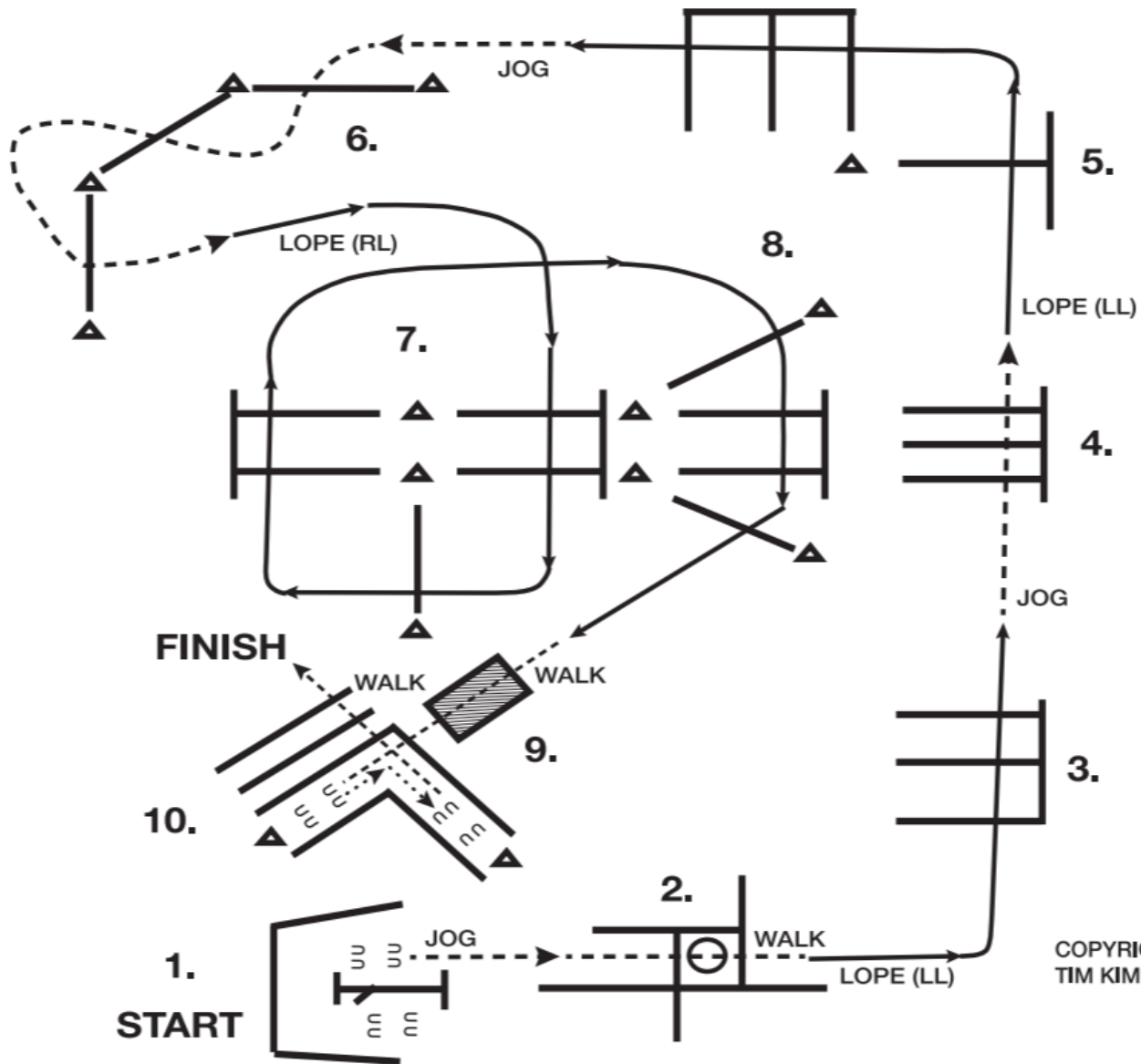
Pattern Provided by:  
The Judges



# OHIO PAINT HORSE CLUB BUCKEYE BONANZA

Saturday, August 22, 2020 – Sunday, August 23, 2020

TRAIL- Open | Amateur | Youth



COPYRIGHT 2012  
TIM KIMURA

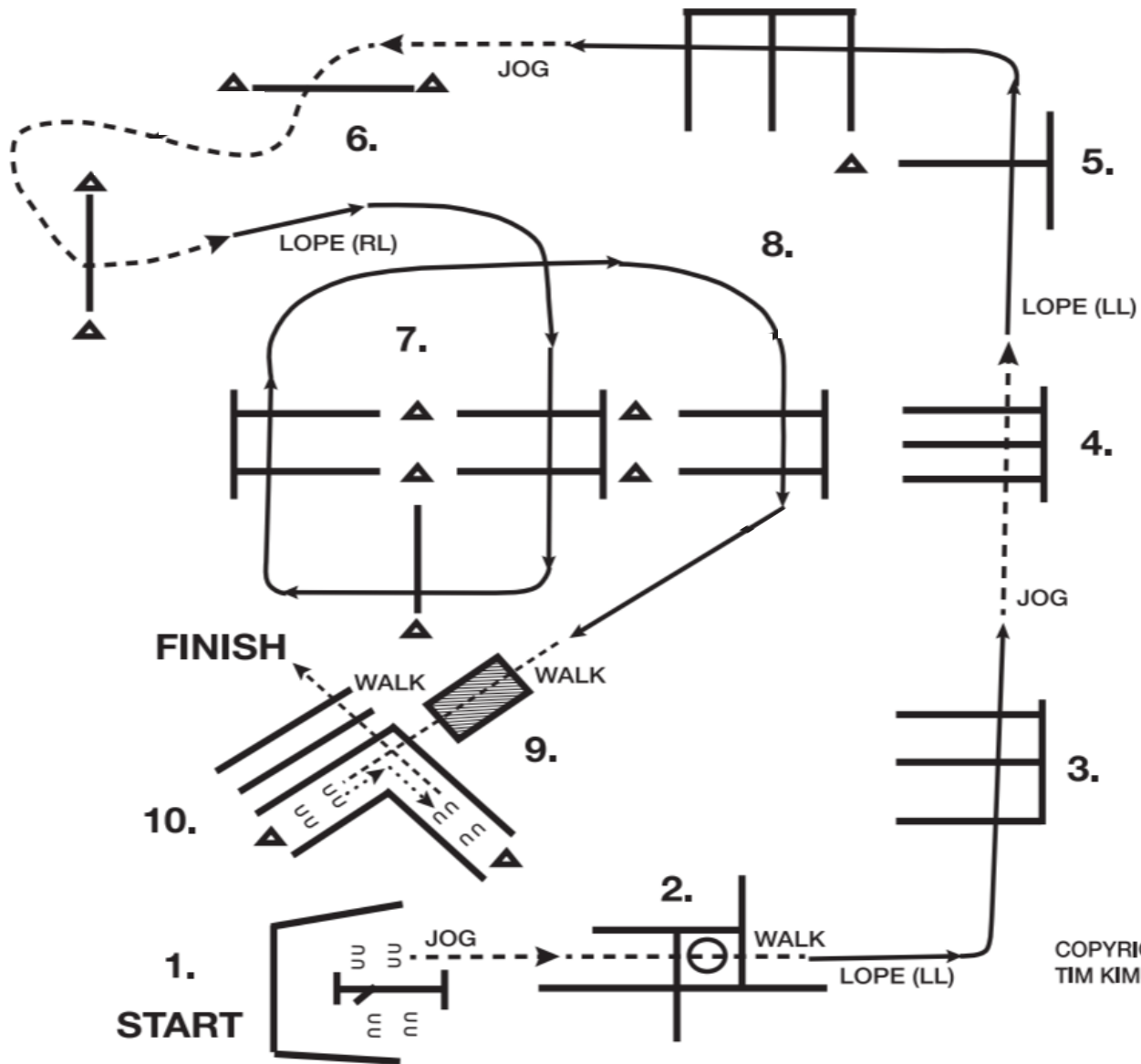
1. Gate: Right hand walk through over pole and close gate
2. Jog into box, execute a 360° turn either way and walk out of box
3. Lope over three poles in left lead
4. Break down to jog and jog over three poles
5. Lope over four poles in left lead
6. Break down to jog, then jog over poles and jog through serpentine
7. Lope over five poles in right lead
8. Continue to lope and lope over four poles in right lead
9. Stop or break to walk, walk over bridge, then walk over pole and into chute.  
Back around corner
10. Walk out of chute and walk over three poles



# OHIO PAINT HORSE CLUB BUCKEYE BONANZA

Saturday, August 22, 2020 – Sunday, August 23, 2020

TRAIL- Novice | Green



COPYRIGHT 2012  
TIM KIMURA

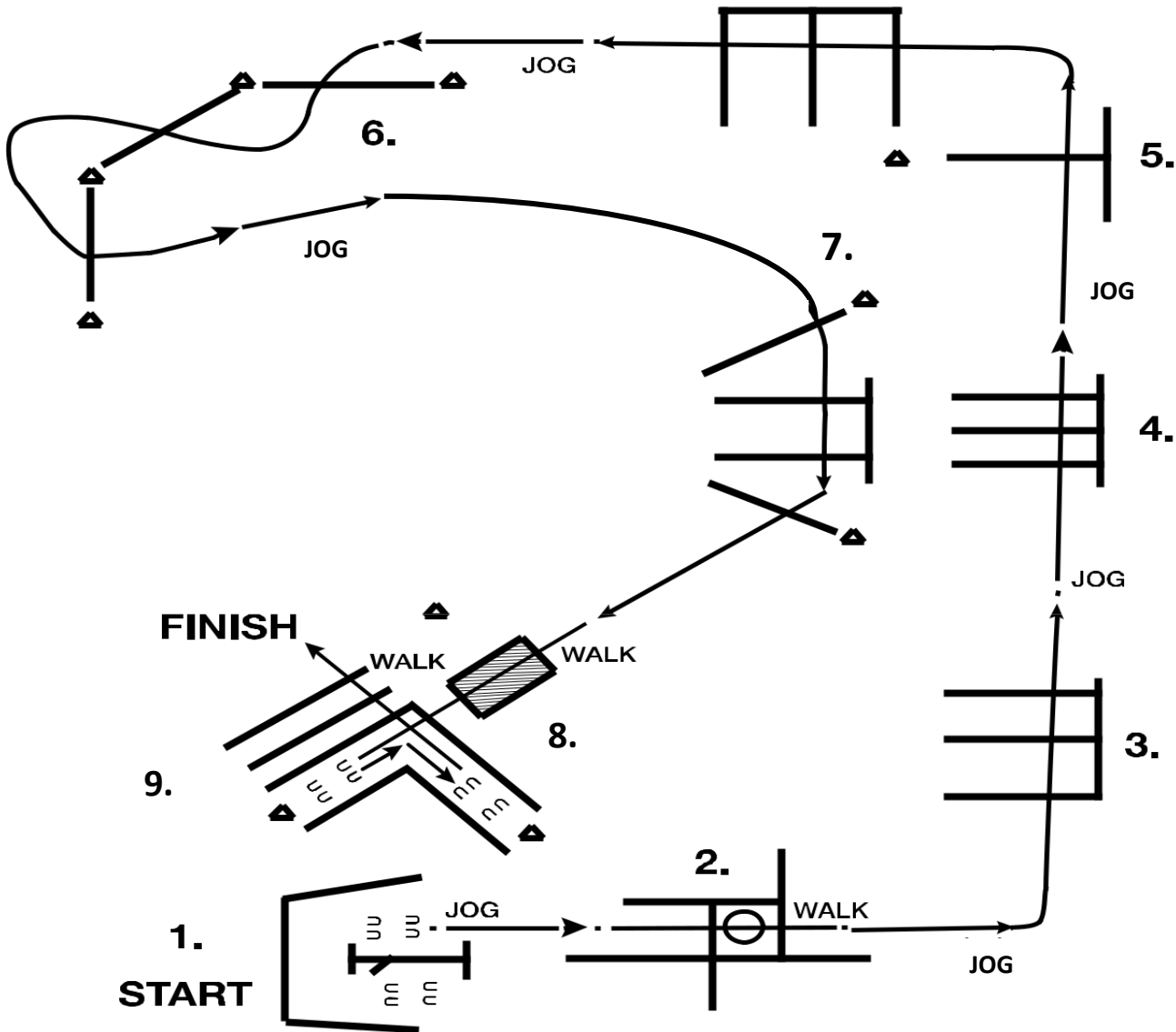
1. Gate: Right hand walk through over pole and close gate
2. Jog into box, execute a 360° turn either way and walk out of box
3. Lope over three poles in left lead
4. Break down to jog and jog over three poles
5. Lope over four poles in left lead
6. Break down to jog, then jog over poles and jog through serpentine
7. Lope over five poles in right lead
8. Continue to lope and lope over two poles in right lead
9. Stop or break to walk, walk over bridge, then walk over pole and into chute.  
Back around corner
10. Walk out of chute and walk over three poles



# OHIO PAINT HORSE CLUB BUCKEYE BONANZA

Saturday, August 22, 2020 – Sunday, August 23, 2020

TRAIL- Walk Trot | In Hand



1. Gate: Right hand walk through over pole and close gate
2. Jog into box, execute a 360° turn either way and walk out of box
3. Jog over three poles
4. Jog over three poles
5. Jog over four poles
6. Jog over poles through serpentine
7. Jog over four poles
8. Stop or break to walk, walk over bridge, then walk over pole and into chute.  
Back around corner
9. Walk out of chute and walk over three poles